

Expander Laser, red, 658 nm, 20 mW

E658-20-3(20x120)APT15
Order Number: 70116793

Main Parameters (*)	min	typ	max	Unit
Wavelength		658		nm
Optical Output Power		20		mW
Operating Voltage	2.7	3	3.3	V DC
Operating Current	100	120	130	mA
Operating Temperature	-20		50	°C
Storage Temperature	-40		80	°C

Main Data

Warranty 1 years

Technical Parameters

Lifetime > 10,000 h
RoHS yes

Optical Parameters

Beam Shape	expander
Laser Class	3B
Divergence	B - 0.3 mrad
Beam Diameter	15 mm
Size of Laserdot	<17mm@10m
Operating Distance	80 m
Optics	glass lens AR coated
Laser technology	Single Mode Diode
Focus	fixed (10.0m)

Electrical Parameters

Potential of Housing isolated
Power Supply LFNT-3

Mechanical Parameters

Size	Ø20x120 mm
Material	aluminium
Cable length	100 mm
Wire type	26AWG, 0,14mm ²
Output Aperture	15 mm
Housing Color	black
Weight	84 g
Stripping of wire	5 mm

(*) Over the complete operating temperature range

Features



- Operating Voltage 3 V DC
- Laser Class 3B
- Glas lenses anti reflex coated
- Uniform illumination
- Small laser head

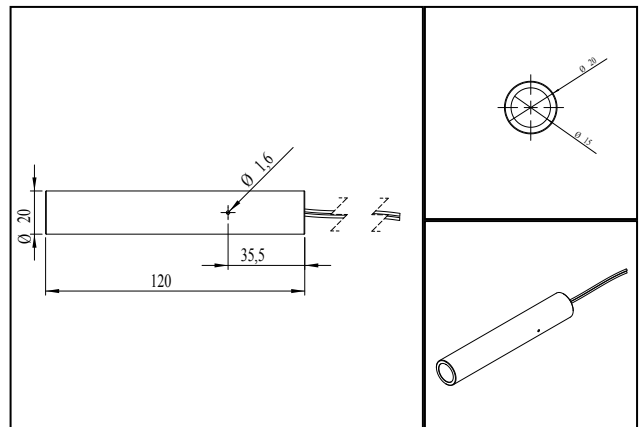
Picture



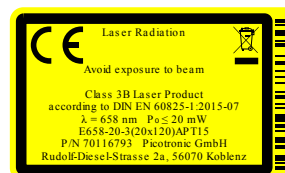
Cable color

Ground		black	GND
positive		red	2.7 - 3.3, typ 3 V DC

Drawing



Safety Label



Valid Revision

0 | 25-MAY-2020